

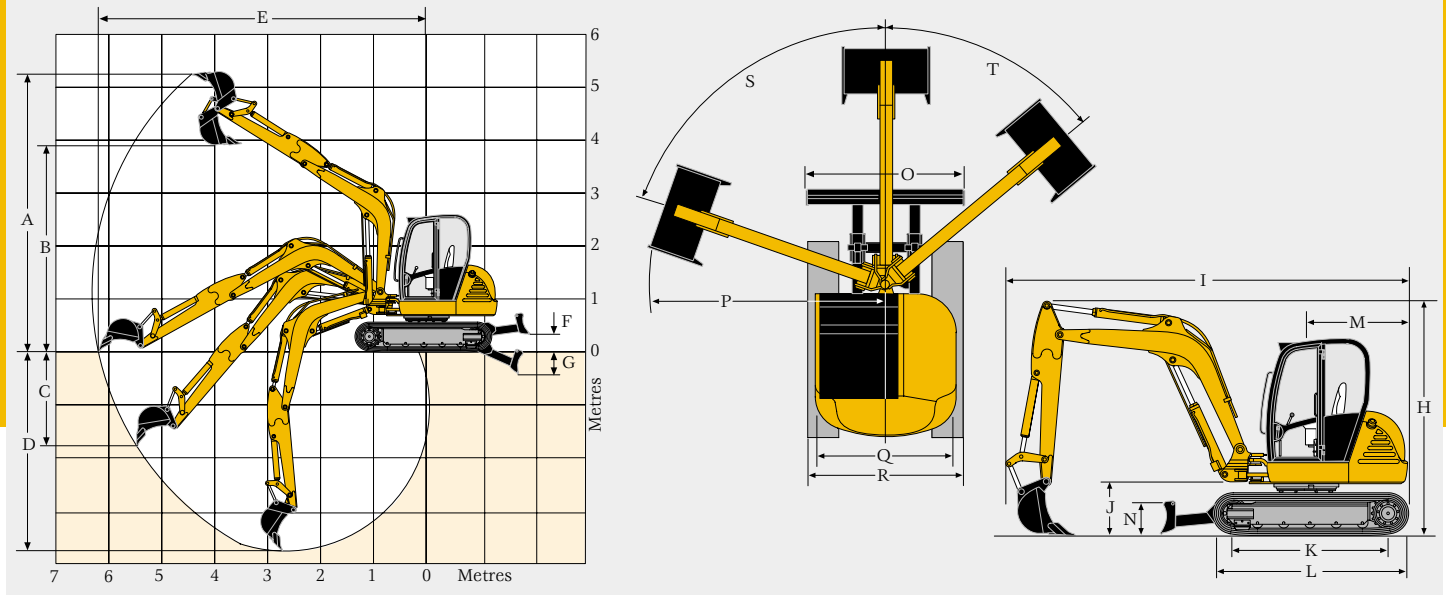


JCB 8060

MIDI EXCAVATOR



MAX. OPERATING WEIGHT 5991kg
DIG DEPTH TO 4133m (13ft 7in)



PERFORMANCE DIMENSIONS

MODEL	8060	
PERFORMANCE Dipper mm (ft)	1500 (4-11)	1900 (6-3)
A. Max dig height mm (ft)	5437 (18)	5679 (18-10)
B. Max dump height mm (ft)	3750 (12-4)	3988 (13-1)
C. Max vertical dig depth mm (ft)	2132 (7)	2486 (8-2)
D. Max dig depth-dozer up mm (ft)	3733 (12-2)	4133 (13-7)
E. Max ground level reach mm (ft)	5790 (19)	6182 (20-3)
Bucket rotation Degrees	201°	
F. Dozer cut above ground mm (ft)	432 (1-5)	
G. Dozer cut below ground mm (ft)	505 (1-8)	
H. Overall Height (trans pos) mm (ft)	2662 (8-9)	
I. Overall Length (trans pos) mm (ft)	4808 (15-9)	
J. Kingpost clearance mm (ft)	642 (2-1)	
K. Sprocket idler centres (Rubber) mm (ft)	1991 (6-6)	
K. Sprocket idler centres (Steel) mm (ft)	2006 (6-7)	
L. Undercarriage length (Rubber) mm (ft)	2516 (8-3)	
L. Undercarriage length (Steel) mm (ft)	2531 (8-4)	
M. Tailswing mm (ft)	1300 (4-3)	
N. Dozer height mm (ft)	411 (1-4)	
O. Dozer width mm (ft)	2020 (6-8)	
P. Min. Slew radius (no bucket) mm (ft)	2021 (6-8)	
Q. Superstructure width mm (ft)	1800 (5-11)	
R. Width over tracks mm (ft)	2000 (6-7)	
S. Boom swing left	70°	
T. Boom swing right	50°	
Min Slew radius (no offset)	2443	
Max Bucket tearout (3CX bucket) (SAE J1179) kN	40.7	
Max Bucket tearout (8052 bucket) (SAE J1179) kN	47.9	
Max dipper tearout (SAE J1179) 1500mm kN	32.4	
Max dipper tearout (SAE J1179) 1900mm kN	26.3	
Travel speeds kph 1st Gear kph (mph)	2.5 (1.56)	
Travel speeds kph 2nd Gear kph (mph)	4.4 (2.7)	
Slew speed rpm	9.4	

SERVICE CAPACITIES

Water System capacity-cab	11 ltr's
Fuel Tank Capacity	70 ltr's
Engine oil capacity	9.6 ltr's
Hydraulic tank capacity	67 ltr's

UNDERCARRIAGE

No of bottom rollers	5
Track width	400 / 550 (882 / 121)
Ground Pressure Kg/cm ² (psi)	0.37 (5.26)
Track Tensioning	Grease

ENGINE

ENGINE	Isuzu
Model	4JG1
Gross power Kw (hp) @ 2300rpm	44.5 (59.6)
Net power Kw (hp) @ 2300rpm	43 (57.6)
Gross torque Nm (lbf ft) @ 1800rpm	192 (141.6)
Displacement cc	3059

4 cylinder, 4JG1, 4 stroke, diesel engine, direct injection, naturally aspirated, 3 litres displacement. Water cooled. Engine oil service intervals: 500 hours. E4* 97/68 GA* 97/68* 0042* 00 (tier 2 compliant).

HYDRAULICS

Variable Displacement load sensed Rexroth pump with power control system	
Nominal Output lpm	150
Excavator/track main relief bar (psi)	230
Slew main relief bar (psi)	200
Auxiliary hydraulic flow Lpm	0 - 95
Hydraulic motors	2 speed piston type
Swing brake: hydraulic braking plus automatic spring applied disc type parking brake	

MACHINE WEIGHTS

Operating weight kg (lbs) 8060 -	5991 (13,210)
with 400mm steel tracks - add kg (lbs)	80 (176)
with wide steel tracks - add kg (lbs)	250 (551)

Operating weight includes: standard machine with cab, rubber tracks, 1900mm dipper, full tanks, 610mm bucket and a 75kg operator

STANDARD EQUIPMENT

- Cab- TOPS (tip over protective structure), heater and demister, windscreen washer/wiper
- Track lever pedals
- Single Acting circuit (for breakers)
- Second auxiliary circuit 0-45 litres
- 2 Speed tracking
- Full audible systems
- Slew lock
- Boom work light
- Ergonomically designed Rexroth servo controls
- Steel Tracks (400mm / 1ft 4")
- Suspension seat

OPTIONAL EQUIPMENT

- Short dipper (1500mm / 4ft 11")
- FOGS guard (Falling object guard structure)
- Cab/Canopy working lights (2 front, 1 rear)
- Air conditioning
- Wide steel tracks (550mm / 1ft 10")
- Rubber tracks (400mm / 1ft 4")
- Stereo Radio Cassette
- Engine fan guard
- Flashing Beacon
- Double Acting circuit
- Buckets in widths (mm/in) : 3CX (standard) 230/9", 305/1ft 2", 400/1ft 4", 460/1ft 6", 610/2ft, 915/3ft, 8052 (higher tearout) 300/1ft, 350/1ft 2", 400/1ft 4", 460/1ft 6", 600/2ft, 750, 2ft 6", 900/3ft
- Ditching/grading bucket (mm/ft): 1525/5ft
- Attachments: JCB 260/360 breaker, earth drill, mechanical quickhitch

